

Choose the Original – HewSaw Grey



HewSaw[®]
The Winning Concept



The Winning Concept

Veisto Oy is a Finnish family-owned company with over 200 employees worldwide. The company's main products include HewSaw production lines for sawn timber. Exports account for approximately 80 % of the company's sales. Veisto Oy's production is centralized in Mäntyharju in the scenic Finnish Lake District.

Veisto Oy is strongly rooted in forestry, and has for nearly 50 years, developed solutions that make sawing profitable under most conditions. The company's experience in wood processing spans several generations, and has proven that forests can be utilized sustainably, financially, ecologically, and profitably. The innovative HewSaw sawing technology exemplifies this principle, offering functional solutions for all kinds of sawing requirements around the world.

True partnerships

Through global partnerships, the HewSaw team carries a deep knowledge of the sawmilling process, customer requirements and market views. Our customers have always guided our product direction and we view this input as a platform for new thinking and innovations.

These partnerships provide opportunities for both the customer and HewSaw as we drive together towards optimum solutions, resulting in a unique competitiveness to the businesses with increased profitability for our customers.



A promise of efficiency, accuracy, and reliability

HewSaw sawing machines are manufactured at our factory in Mäntyharju, Finland. The factory has a staff of approximately sixty people, including many who have a long service history with the company. High quality standards are guaranteed by our employees' solid expertise and committed passion for their work. A high level of automation ensures that the quality and efficiency of the facility are among the best in the field. Our machinery and technology includes state of the art factory automation – investments that will ensure our long-term success.

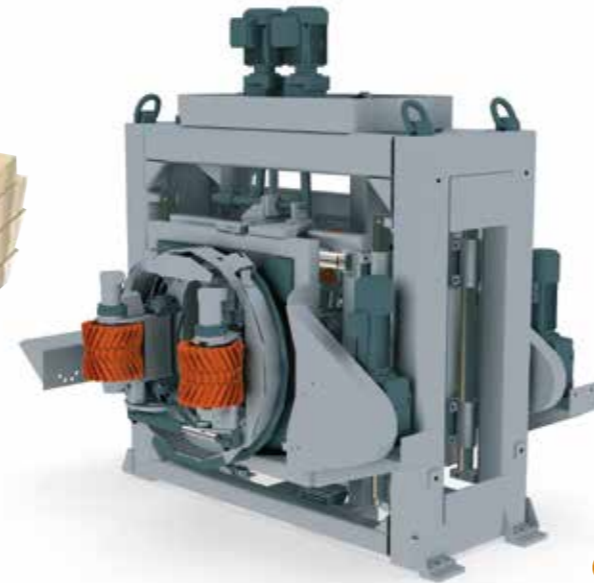
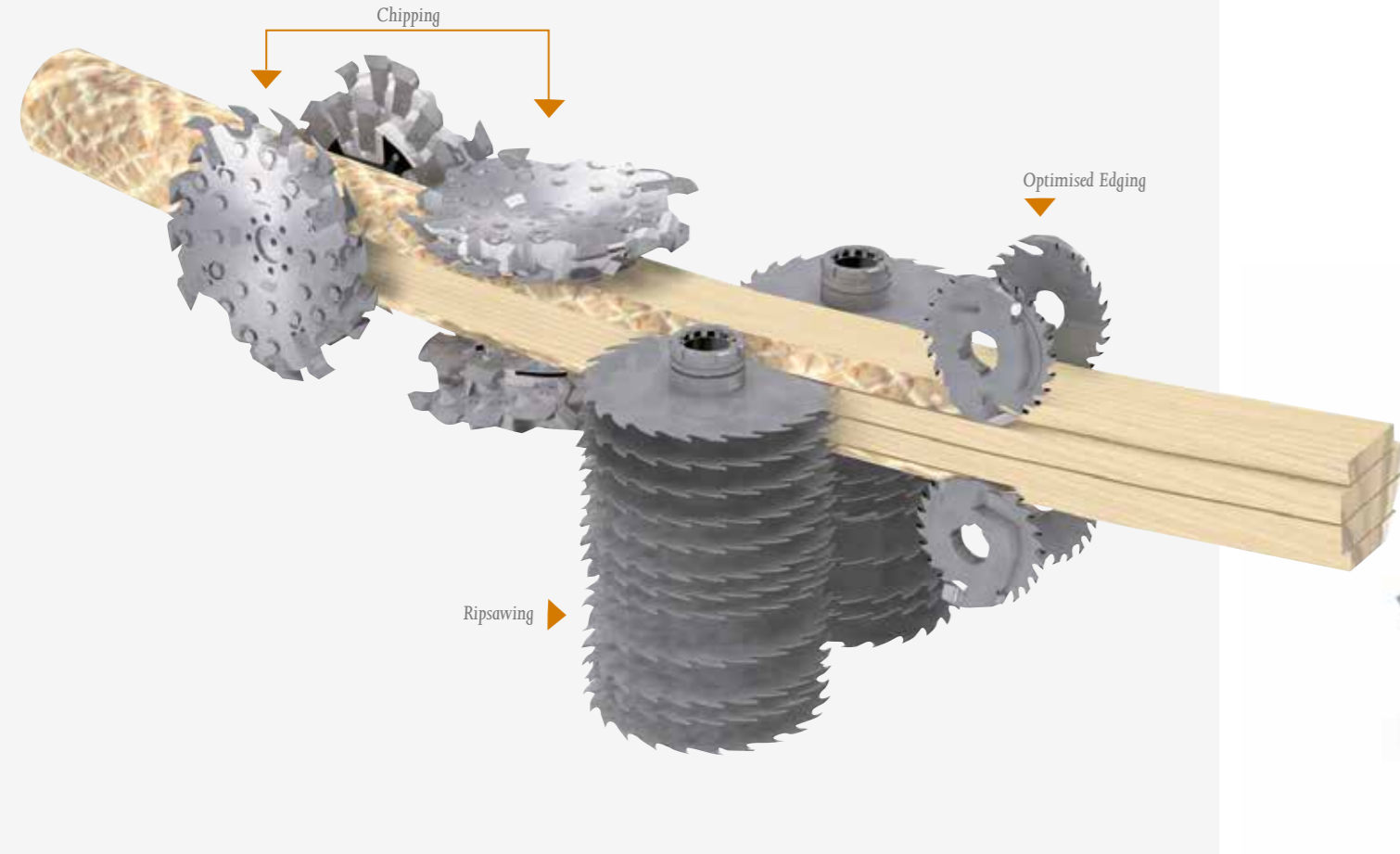
Thanks to a strong commitment to product development, quality manufacturing and innovation, HewSaw sawing machines have a high recovery ratio and accurately perform for generations. In addition, HewSaw provides our customers with a comprehensive service package that includes not only spare parts and servicing but also the company's expertise in the processing of the valuable raw material efficiently and profitably, throughout the entire service life of the equipment.

Choose the Original – HewSaw Grey

HewSaw Grey is not only about the colour: it is also a promise to our customers of innovative technology, sustainable development, a commitment to partnerships, and a wide-ranging expertise that adds efficiency and profitability to our sawing lines. The grey colour and the values of HewSaw have already become a new standard in the field.



HewSaw R-series – compact single pass sawing lines



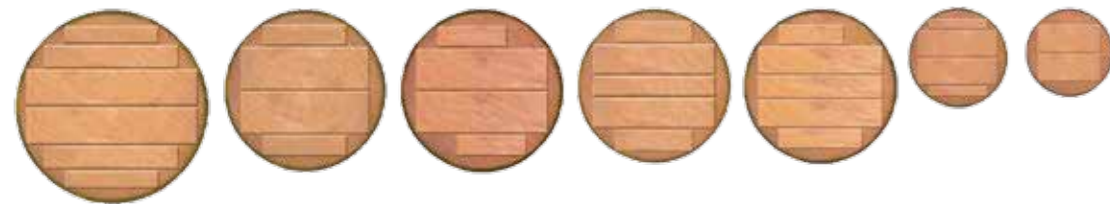
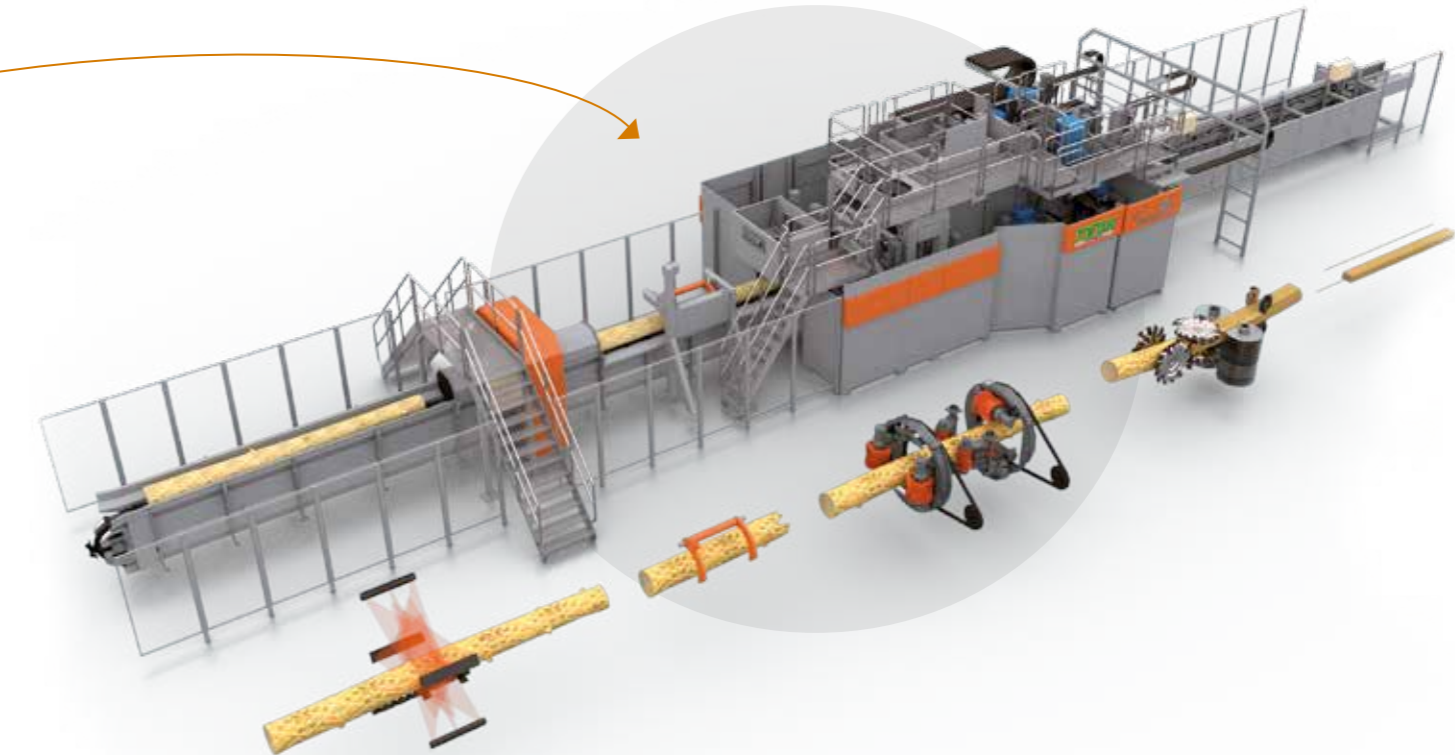
High accuracy and speed with HewSaw Log-In

The single pass process of the HewSaw R200 A.1 sawing machine is familiar to saw-mill operators around the world. Flexible production capacity and low operating costs make the R200 A.1 profitable in a wide range of processing situations. The smooth timber and top-quality chips produced by the R200 A.1 provide excellent raw materials for further value adding processes and needs. Mechanical curve sawing that follows the central line of the log accurately, and side board edging, maximize recovery and profits.

The compact and integrated R200 A.1 is a proven machine for sawing small logs with a top diameter between 80 mm (3-inches) and 230 mm (9-inches) and large end diameters of up to 355 mm (14-inches). The first HewSaw sawing machines were commissioned over 30 years ago and many are still going strong today. Their annual production volume varies, depending on the operation settings, from 15 000 m³ (6.4 MMBF) to up to 350,000 m³ (148 MMBF) of sawn timber.

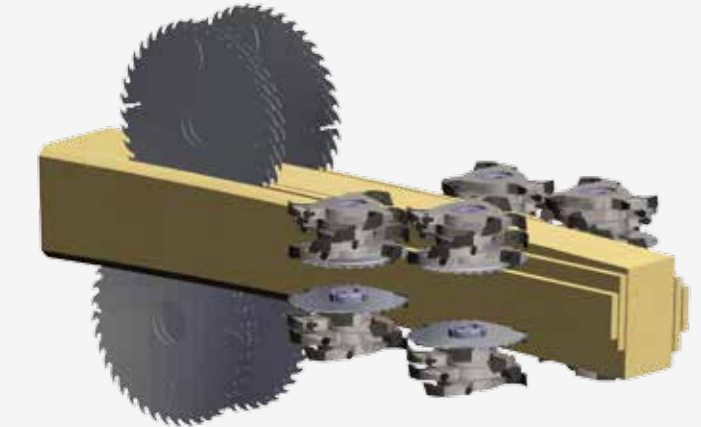
The R200 I.1 is a refined version of the R200 A.1 sawing machine. It is a robust and reliable machine that meets the high requirements set by the industry on feed speed and production volume. Stand-up access to service and maintenance areas has been taken into account in the design of the machine to facilitate regular servicing. This model offers flexible sawing solutions and optimal lumber recovery. The R200 I.1 is equipped with controlled curve sawing and optimized side board edging.

The R-series also includes the HewSaw R250, which is designed for the sawing of larger logs. Operating similarly to the R200, the structure and capacity of the HewSaw R250 is excellent for processing logs with 80 to 380 mm (3-inch to 15-inch) top diameters and a large end diameter of up to 550 mm (22-inches). This saw machine is available in two models, the R250 A.1 and the heavy duty model for higher production capacity, the R250 I.1.

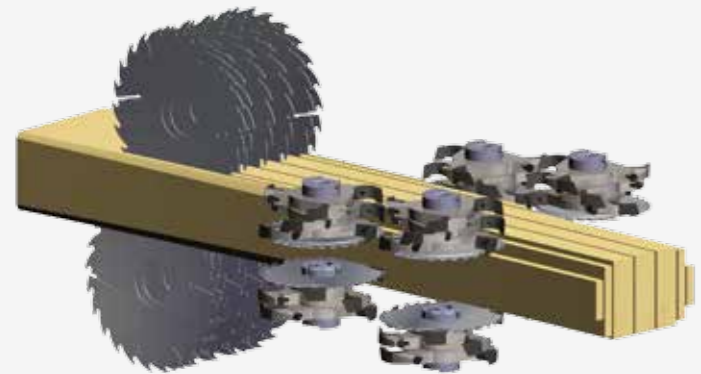




Chipper Canter chips four open faces.



Cant Saw saws and edges the maximum of four optimised sideboards.



Ripsaw machine curve saws the cant and edges up to four optimised sideboards.

SL200 and SL250 – sawing lines for large-scale production

HewSaw SL200 – Sawing line (sideboards from four sides) for small logs

HewSaw SL200 sawing lines are designed for logs with a 80-300mm (3-inch to 12-inch) top diameter and a 350 mm (14-inch) large end diameter. The line's maximum feed speed is 200 m/min (650 ft/min) and it is efficient in sawing short and unsorted logs.

HewSaw SL250 2.2 – a short sawing line for normal saw logs

HewSaw SL250 2.2 is equipped with all of the functions that enhance productivity: optimization, curve sawing, edging, high feed speeds, and fast setting changes. All these functions are combined in this roughly 50-metre (165-foot) long line, which is suitable for logs with an 80 to 420 mm (3-inch to 16.5-inch) top diameter and up to 550 mm (22-inch) large end diameters. This robust sawing line will also process small wood efficiently.

SL250 3.3 – a sawing line for large-scale production

The HewSaw SL250 3.3 is the most diverse and flexible model in the HewSaw product family. The structure and automation of the line facilitate efficient sawing with a high lumber recovery factor. The modern multi-phase measurement and optimization system is also suitable for scan and set sawing. These sawing lines can efficiently process logs between 80 and 420 mm (3-inches and 16.5-inches) in diameter at the top end and up to 550 mm (22-inches) at the large end.

High recovery ratio

- precise rotation
- accurate log positioning
- first-rate curve sawing properties
- excellent dimensional accuracy
- thin saws
- sawing of special profiles
- sawing of short logs
- user-friendly automation

High production quality

- outstanding dimensional accuracy and geometry
- excellent sawn timber finish
- high chip quality, including the chips produced during edging

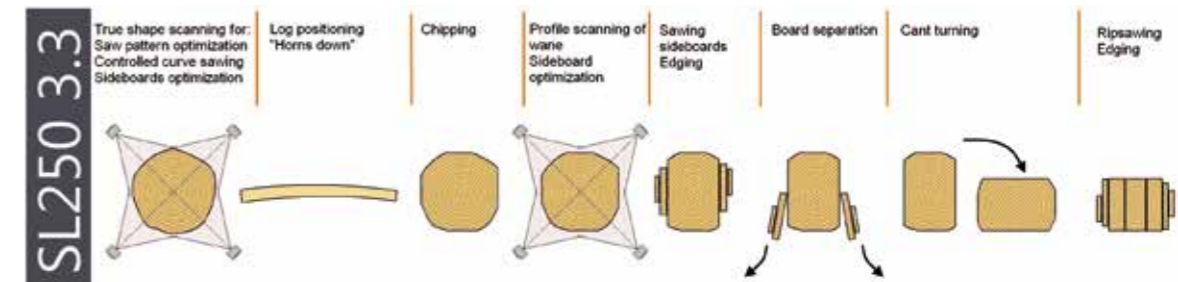
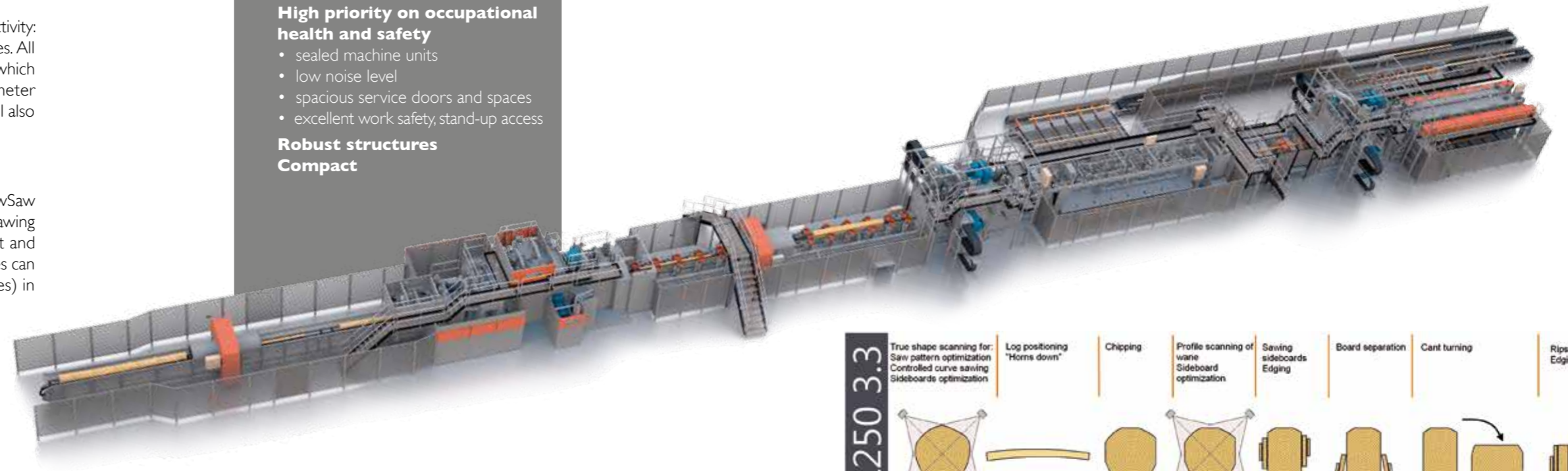
Production efficiency

- high feed speeds
- fast setting changes
- high up-time

High priority on occupational health and safety

- sealed machine units
- low noise level
- spacious service doors and spaces
- excellent work safety, stand-up access

Robust structures Compact



After sales services ensure customer satisfaction

To ensure reliable production, all sawing machines must be serviced regularly. This also reduces the annual maintenance costs of the machine while active and systematic monitoring prolongs the service life of the equipment.

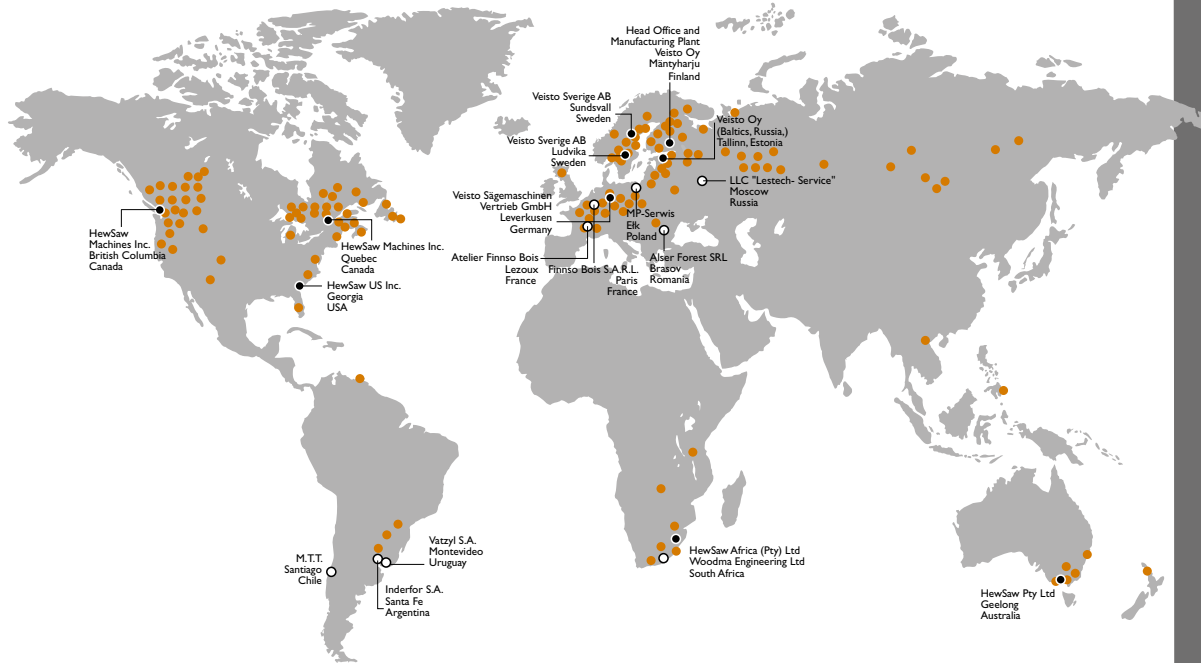
During service visits, the client will have an excellent opportunity to discuss any challenges observed during sawing with our skilled and experienced maintenance staff, along with R&D plans, and the latest upgrades. The aim of our preventative maintenance program is to secure efficient and uninterrupted operation of the machinery, and to enhance the profitability of the client's operations.

HewSaw maintenance staff monitor the condition of the sawing machines, replace worn out parts in a timely manner, and prevent problem situations in advance so that the sawing facility is spared unexpected interruptions in production. During the maintenance inspections, our skilled staff will find and fix defects before they cause trouble.

The HewSaw maintenance and spare part services are available globally.



HewSaw Worldwide



- HewSaw Offices
- HewSaw Sawmills
- HewSaw Representatives

HewSaw Offices

FINLAND
 Veisto Oy
 Yrittäjätie 1
 FI-52700 Mäntyharju, Finland
 Tel. +358 20 773 8 773
 e-mail: sales@veisto.com

Veisto Oy
 Lautatarhankatu 6
 FI-00580 Helsinki, Finland
 Tel. +358 40 741 3184
 e-mail: tuomo.kauppinen@veisto.com

RUSSIA AND BALTICS
 Veisto Oy
 Nõmme Tee 65-5
 EE-11311, Tallinn, Estonia
 Tel. +372 511 3109
 e-mail: alar.kask@veisto.com

SWEDEN
 Veisto Sverige AB
 Head Office
 Läringsvägen 11
 857 53 Sundsvall, Sweden
 Tel. +46 240 12 880
 e-mail: info@veisto.se

Veisto Sverige AB
 Löfstigen 38
 771 36 Ludvika, Sweden
 Tel: +46 240 128 80
 e-mail: info@veisto.se

Veisto Sverige AB
 Local Office
 Gamby Stora Gamby 521
 697 93 Hjortkvarn, Sweden
 Tel. +46 70 396 6085
 e-mail: magnus.karlsson@veisto.se

GERMANY
 Veisto Sägemaschinen Vertrieb GmbH
 Im Friedenstal 16
 D-51379 Leverkusen, Germany
 Tel. +49 2171 289 58
 e-mail: marc.duray@veisto.com

CANADA
 HewSaw Machines Inc.
 2104 Townline Road
 Abbotsford, BC
 V2T 6E6 Canada
 Tel. +1 604 852 7293
 e-mail: info@hewsaw.com

HewSaw Machines Inc. (Quebec)
 Spare Parts Sales (East)
 545, 2e Avenue
 St-Romuald, QC G6W 5M6
 Canada
 Tel. +1 418 839 1800
 e-mail: info@hewsaw.com

USA
 HewSaw US Inc.
 3911 Old Louisville Road,
 Garden City, Savannah, GA
 31408 USA
 Tel. +1 604 557 6975
 e-mail: bruce.delicaet@hewsaw.com

AUSTRALIA
 HewSaw Pty Ltd.
 1/21 Birkett Place
 South Geelong
 3220 Victoria, Australia
 Tel. +61 419 345 037
 e-mail: peter.haintz@hewsaw.com

SOUTH AFRICA
 HewSaw Africa (Pty) Ltd.
 12 Suikerriet St. Unit 30.3.2
 P.O. Box 13 348
 Nelspruit 1201
 South Africa
 Tel. +27 (0) 719 61 5309
 e-mail: andre.odendaal@hewsaw.com

HewSaw Representatives

ARGENTINA & BRAZIL
 Inderfor S.A.
 Dario Rodriguez
 Pasco 1732, 10A
 2000-Rosario Santa Fe
 Argentina
 Tel. +54 (0)341 679 2566
 e-mail: dario@inderfor.com

CHILE
 Emmerich Kohle
 M.T.T. Chile
 Sebastián Elcano 976 Dep. 501
 Las Condes, Santiago, Chile
 Tel. +56 9 4181 773
 Tel. +59 8 9223 9117
 e-mail: ekohle@veisto.com
 e-mail: emmerichkohle@hotmail.com

FRANCE
 Finnso Bois S.A.R.L.
 Christian Lallia
 18, quai Louis Blériot
 F-75016 Paris
 France
 Tel. +33 1 45 27 73 40
 e-mail: christian.lallia@finnsobois.com

Atelier Finnso Bois
 Parc d'activités « entre Dore et Allier »
 1 allée des Chênes
 63190 Lezoux, France
 Tel. +33 (0)4 73 73 83 05
 e-mail: vincent.plante@finnsobois.com

POLAND
 MP-SERWIS
 Marek Piskorski
 ul. Jana Pawła II 11/54
 19-300 Elk, Poland
 Tel. +48 502 409 463
 e-mail: mpi@elknet.pl

ROMANIA
 Alser Forest SRL
 Albert Serban
 505600 Săcele, Str. Soseava Tarlungeni nr. 32
 Jud. Braşov, Romania
 Tel. +4 0744 995 450
 e-mail: albert@utilajedepadure.ro

SOUTH AFRICA
 Woodma Engineering Oy
 Veijo Mäki-Hoimela
 Finnoonlaaksontie 2
 02270 Espoo, Finland
 Tel. +358 400 210 343
 e-mail: veijo.maki-hoimela@woodma.fi

RUSSIA
 LLC "Lestech-Service"
 Svetlana Averyanova
 RU-119607 st. Ramenky 17/1
 Moscow, Russia
 Tel. +7 (495) 780 92 06
 e-mail: Lt-s@mail.ru

URUGUAY
 Vatzyl S.A.
 Carlos Correa - Darío Rodríguez
 Zonamerica Business & Technology Park
 Ruta 8 km 17.500 of. 504 - 91600
 Uruguay
 Tel. + 598 2518 2555
 ext. 215 or + 54 9377 730 4271
 e-mail: carlos@inderfor.com or
 dario@inderfor.com